

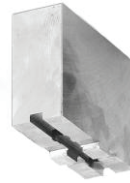
REPLACEMENT PARTS AND JAWS FOR ZERO SET® CHUCKS



TOP JAW



MASTER JAW



SOFT JAW



CHUCK WRENCH



CHUCK BODY 2 PCS



SCROLL



CHUCK BODY 2 PCS



ZERO SET SCREW



PINION

3 Jaw Chucks

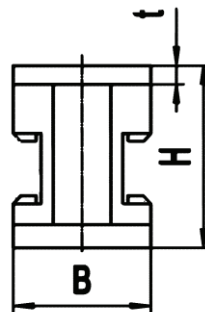
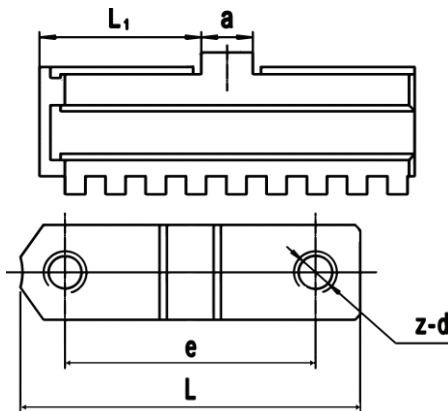
CHUCK SIZE	CHUCK MODEL	HARD TOP JAW SET	SOFT TOP JAW SET	MASTER JAW SET	CHUCK BODY	CHUCK SCROLL	CHUCK PINION	ZERO SET SCREW	CHUCK WRENCH
4"	1043	N/A	N/A	N/A	430-8	430-1	430-2	430-4	430-3
5"	1053R	530-7	530-0	530-6	530-8	530-1	530-2	530-4	530-3
6"	1063R	630-7	630-0	630-6	630-8	630-1	630-2	630-4	630-3
8"	1083R	830-7	830-0	830-6	830-8	830-1	830-2	830-4	830-3
10"	1103R	103-7	103-0	103-6	103-8	103-1	103-2	103-4	103-3
12"	1123R	123-7	123-0	123-6	123-8	123-1	123-2	123-4	123-3
15"	1153R	153-7	153-0	153-6	153-8	153-1	153-2	153-4	153-3
21"	1213R	213-7	213-0	213-6	213-8	213-1	213-2	213-4	213-3

6 Jaw Chucks

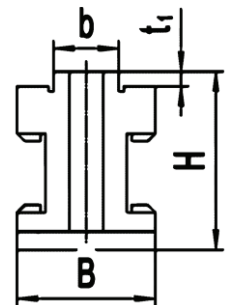
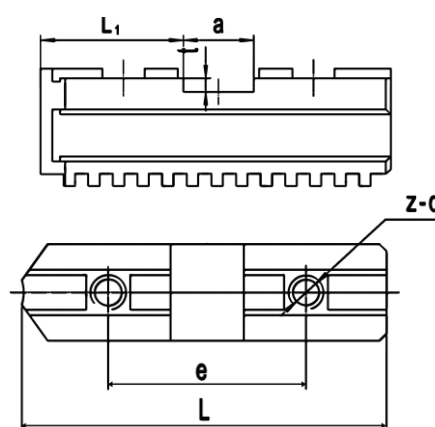
6"	1066R	660-7	660-0	660-6	660-8	660-1	660-2	660-4	660-3
8"	1086R	860-7	860-0	860-6	860-8	860-1	860-2	860-4	860-3
10"	1106R	106-7	106-0	106-6	106-8	106-1	106-2	106-4	106-3
12"	1126R	126-7	126-0	126-6	126-8	126-1	126-2	126-4	126-3
15"	1156R	156-7	156-0	156-6	156-8	156-1	156-2	156-4	156-3

LONG HANDLED HEX KEYS AVAILABLE FOR 10, 12 INCH CHUCKS - PART # 103-5

For 6" - 3 Jaw and 6 Jaw Zero Set Chucks



For other Zero Set Chucks



SIZE	MODEL	L	L1	B	H	t	t1	a	b	e	z - d
5"	1053R	2.008	0.784	0.629	1.023	0.157	0.118	0.499	0.313	1.250	5/16 - 18
6"	1063R	2.500	1.063	0.736	1.000	0.098	0.098	0.375	0.736	1.686	5/16 - 18
8"	1083R	3.504	1.319	0.952	1.260	0.157	0.118	0.499	0.313	1.748	3/8 - 16
10"	1103R	3.622	1.531	1.235	1.516	0.157	0.118	0.749	0.500	2.126	1/2 - 13
12"	1123R	4.252	1.843	1.485	1.575	0.157	0.118	0.749	0.500	2.500	1/2 - 13
15"	1153R	5.275	2.362	1.771	2.205	0.287	0.118	0.749	0.500	3.000	3/4 - 10
21"	1213R	8.000	2.240	1.970	2.205	.2870	0.125	0.749	.500	3.000	3/4 - 10

6" Chucks have a backward cross-key. Refer to the drawings on the left for 6" chucks.