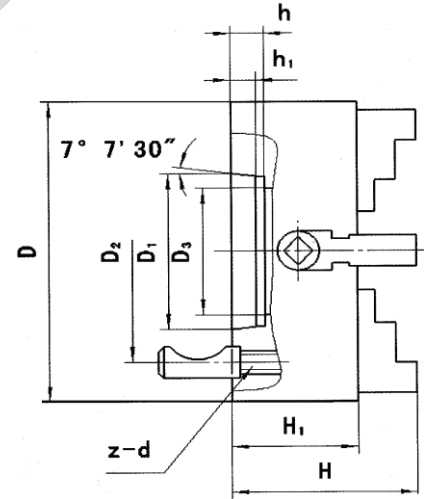


## FOUR JAW INDEPENDENT CHUCKS - DIRECT MOUNT TYPE "D" SOLID JAWS OR TOP REVERSIBLE JAWS

These chucks have jaws that are operated individually to allow solid gripping of oddly shaped work pieces.  
Semi-steel body.

### SUPPLIED WITH:

- One piece solid reversible jaws
- or top reversible jaws
- T - Wrench
- Mounting cam studs
- T - Slots in 12" and larger



### PRINCIPAL SPECIFICATIONS

#### TOP REVERSIBLE JAWS AVAILABLE - ADD "R" TO MODEL NUMBER

Size	MODEL	SPINDLE	WEIGHT	D	D1	D2	D3	H	H1	h	h1	Z-d
6"	4064D3	D1-3	23	6.299	2.125	2.780	1.772	3.661	2.559	0.512	0.394	3-M10X1
8"	4084D3	D1-3	35	7.874	2.125	2.780	1.772	3.661	2.559	0.512	0.394	3-M10X1
8"	4084D4	D1-4	35	7.874	2.500	3.252	2.205	4.213	2.953	0.512	0.394	3-M10X1
8"	4084D5	D1-5	36	7.874	3.250	4.126	2.205	4.213	2.953	0.591	0.472	6-M12X1
8"	4084D6	D1-6	37	7.874	4.188	5.252	2.205	4.213	2.953	0.630	0.512	6-M16X1.5
10"	4104D4	D1-4	51	9.843	2.500	3.252	2.205	4.724	3.150	0.512	0.394	6-M12X1.5
10"	4104D5	D1-5	51	9.843	3.250	4.126	2.953	4.724	3.150	0.591	0.472	6-M12X1.5
10"	4104D6	D1-6	51	9.843	4.188	5.252	2.953	4.724	3.150	0.630	0.512	6-M16X1.0
10"	4104D8	D1-8	51	9.843	5.500	6.748	2.953	4.724	3.150	0.709	0.551	6-M20 x1.5
12"	4124D6	D1-6	100	12.598	4.188	5.252	3.740	5.276	3.543	0.630	0.512	6-M16X1.5
12"	4124D8	D1-8	100	12.598	5.500	6.748	3.740	5.276	3.543	0.709	0.551	6-M20X1.5
14"	4144D6	D1-6	125	13.780	4.188	5.252	3.740	5.276	3.543	0.630	0.512	6-M16X1.5
14"	4144D8	D1-8	125	13.780	5.500	6.748	3.740	5.276	3.543	0.709	0.551	6-M20X1.5
16"	4164D6	D1-6	139	15.748	4.188	5.252	3.740	5.630	3.740	0.630	0.512	6-M16X1.5
16"	4164D8	D1-8	139	15.748	5.500	6.748	4.921	5.630	3.740	0.709	0.551	6-M20X1.5
16"	4164D11	D1-11	139	15.748	7.751	9.252	4.921	5.630	3.740	0.787	0.630	6-M22X1.5
20"	4204D8	D1-8	227	19.685	5.500	6.748	5.354	6.339	4.173	0.709	0.551	6-M20X1.5
20"	4204D11	D1-11	227	19.685	7.751	9.252	6.300	6.339	4.173	0.787	0.630	6-M22X1.5
20"	4204D15	D1-15	227	19.685	11.251	13.000	6.300	6.339	4.173	0.827	0.669	6-M24X1.5
25"	4254D8	D1-8	358	24.803	5.500	6.784	4.921	7.087	4.646	0.787	0.630	6-M20X1.5
25"	4254D11	D1-11	358	24.803	7.751	9.252	7.087	7.087	4.646	0.787	0.630	6-M22X1.5
25"	4254D15	D1-15	358	24.803	11.251	13.000	7.087	7.087	4.646	0.827	0.669	6-M24X1.5