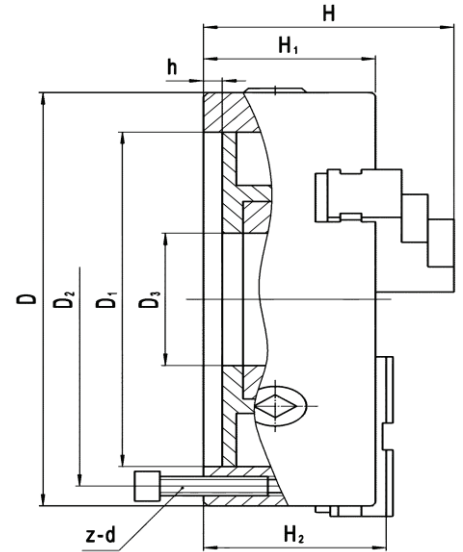


## THREE JAW SELF CENTERING SCROLL CHUCKS - FLATBACK TOP REVERSIBLE JAWS

American standard two-piece tongue and groove Jaws.  
 Scroll and jaws hardened and ground. Top reversible jaws.  
 Semi-steel body.

### SUPPLIED WITH:

Master jaws and top jaws  
 T-Wrench  
 Mounting screws



### PRINCIPAL SPECIFICATIONS

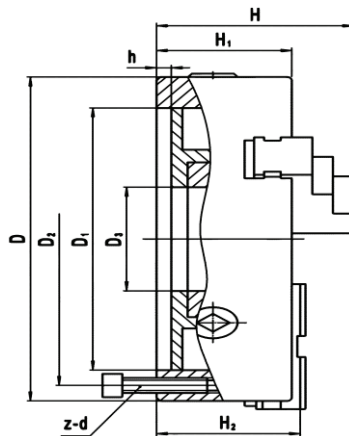
SIZE	MODEL	WEIGHT	D	D1	D2	D3	H	H1	H2	h	Z-d
5"	3053R	14	5.118	3.937	4.528	1.181	3.828	2.362	2.445	0.138	3-M8
6"	3063R	21	6.299	5.118	5.591	1.575	4.291	2.559	2.795	0.197	3-M8
8"	3083R	39	7.874	6.496	7.087	2.559	4.803	2.953	3.150	0.197	3-M10
10"	3103R	56	9.843	8.110	8.898	3.150	5.354	3.150	3.385	0.197	3-M12
12"	3123R	99	12.795	10.709	11.654	3.937	6.673	3.780	4.154	0.472	3-M16
15"	3153R	122	14.961	12.795	13.780	5.315	6.752	3.858	4.232	0.236	3-M16
16"	3163R	140	15.748	13.386	14.488	5.433	6.772	3.858	4.252	0.236	3-M16
20"	3203R	320	19.685	17.323	18.307	8.268	7.953	4.528	4.961	0.236	6-M16
25"	3253R	510	24.803	22.047	23.425	10.630	8.582	5.256	5.590	0.276	6-M16
32"	3323R	556	31.496	27.953	29.921	15.157	9.843	6.339	6.693	0.335	6-M20
40"	3403R	930	39.370	35.630	37.402	18.110	10.906	7.087	7.483	0.354	6-M24

## THREE JAW SELF CENTERING SCROLL CHUCKS - FLATBACK SOLID JAWS

Scroll and jaws hardened and ground.  
 Semi-steel body.

### SUPPLIED WITH:

2 Sets of solid hard jaws  
 (1 internal and 1 external)  
 T-Wrench  
 Mounting screws



### PRINCIPAL SPECIFICATIONS

SIZE	MODEL	WEIGHT	D	D1	D2	D3	H	H1	h	Z-d
3"	5033	5	3.150	2.165	2.598	0.630	2.598	1.969	0.138	3-M6
4"	5043	8	3.937	2.835	3.307	0.866	2.933	2.165	0.138	3-M8
5"	5053	14	5.118	3.937	4.528	1.181	3.386	2.362	0.138	3-M8
6"	5063	21	6.299	5.118	5.591	1.575	3.740	2.559	0.197	3-M8
8"	5083	36	7.874	6.496	7.087	2.559	4.291	2.953	0.197	3-M10
10"	5103	56	9.843	8.110	8.898	3.150	4.724	3.150	0.197	3-M12
12"	5123	109	12.795	10.709	11.654	3.937	6.673	3.780	0.473	3-M16

0.003" TIR repeatability and meet ASA specifications on duplicate parts for chucks through 12"