

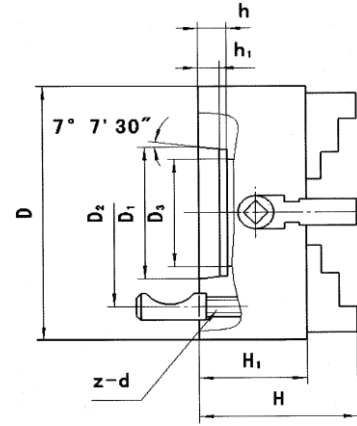
FOUR JAW INDEPENDENT CHUCKS - DIRECT MOUNT TYPE "D" TOP REVERSIBLE JAWS

FORGED STEEL

These chucks have jaws that are operated individually to allow solid gripping of oddly shaped work pieces.

SUPPLIED WITH:

- Top reversible jaws
- T - Wrench
- Mounting cam studs
- T - Slots in 12" and larger



Steel body chuck applications:

- Higher RPM
- Longer life
- Tough environments

Forged Steel		PRINCIPAL SPECIFICATIONS										
Size	MODEL	SPINDLE	WEIGHT	D	D1	D2	D3	H	H1	h	h1	Z-d
8"	S4084D4R	D1-4	35	7.874	2.500	3.252	2.205	4.213	2.953	0.512	0.394	3-M10X1
8"	S4084D6R	D1-6	37	7.874	4.188	5.252	2.205	4.213	2.953	0.630	0.512	6-M16X1.5
10"	S4104D6R	D1-6	51	9.843	4.188	5.252	2.953	4.724	3.150	0.630	0.512	6-M16X1.0
10"	S4104D8R	D1-8	51	9.843	5.500	6.748	2.953	4.724	3.150	0.709	0.551	6-M20 x1.5
12"	S4124D6R	D1-6	100	12.598	4.188	5.252	3.740	5.276	3.543	0.630	0.512	6-M16X1.5
12"	S4124D8R	D1-8	100	12.598	5.500	6.748	3.740	5.276	3.543	0.709	0.551	6-M20X1.5
16"	S4164D6R	D1-5	139	15.748	3.250	4.126	3.110	5.630	3.740	0.591	0.472	6-M12X 1.0
16"	S4164D8R	D1-8	139	15.748	5.500	6.748	4.921	5.630	3.740	0.709	0.551	6-M20X1.5
16"	S4164D11R	D1-11	139	15.748	7.751	9.252	4.921	5.630	3.740	0.787	0.630	6-M22X1.5
20"	S4204D8R	D1-8	227	19.685	5.500	6.748	5.354	6.339	4.173	0.709	0.551	6-M20X1.5
20"	S4204D11R	D1-11	227	19.685	7.751	9.252	6.300	6.339	4.173	0.787	0.630	6-M22X1.5
25"	S4254D8R	D1-8	358	24.803	5.500	6.784	4.921	7.087	4.646	0.787	0.630	6-M20X1.5
25"	S4254D11R	D1-11	358	24.803	7.751	9.252	7.087	7.087	4.646	0.787	0.630	6-M22X1.5
25"	S4254D15R	D1-15	358	24.803	11.251	13.000	7.087	7.087	4.646	0.827	0.669	6-M24X1.5

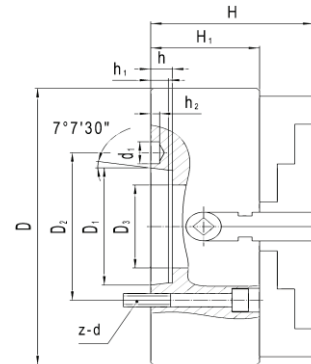
FOUR JAW INDEPENDENT CHUCKS DIRECT MOUNT TYPE "A" TOP REVERSIBLE JAWS

FORGED STEEL

These chucks have jaws that are operated individually to allow solid gripping of oddly shaped work pieces.

SUPPLIED WITH:

- Top reversible jaws
- T - Wrench
- Mounting Screws
- T - Slots in 12" and larger



Steel body chuck applications:

- Higher RPM
- Longer life
- Tough environments

Forged Steel		PRINCIPAL SPECIFICATIONS												
Size	MODEL	SPINDLE	WEIGHT	D	D1	D2	D3	H	H1	h	h1	h2	d1	Z-d
8"	S4084A5R	A2-5	35	7.874	2.500	3.252	2.205	4.212	2.953	0.512	0.394	0.256	0.579	4-M10
8"	S4084A6R	A2-6	35	7.874	4.188	5.252	2.205	4.212	2.953	0.630	0.512	0.256	0.768	4-M12
10"	S4104A6R	A2-6	51	9.843	4.188	5.252	2.953	4.724	3.150	0.630	0.512	0.256	0.768	4-M12
12"	S4124A6R	A2-6	100	12.598	4.188	5.252	3.740	5.276	3.543	0.630	0.512	0.256	0.768	4-M12
12"	S4124A8R	A2-8	100	12.598	5.500	6.748	3.740	5.276	3.543	0.709	0.551	0.315	0.953	4-M16
16"	S4164A6R	A2-6	139	15.748	4.188	5.252	3.740	5.630	3.740	0.630	0.512	0.256	0.768	4-M12
16"	S4164A8R	A2-8	139	15.748	5.500	6.748	4.921	5.630	3.740	0.709	0.551	0.315	0.953	4-M16
20"	S4204A8R	A2-8	265	19.685	5.500	6.748	5.354	6.339	4.173	0.709	0.551	0.315	0.953	4-M16
20"	S4204A11R	A2-11	265	19.685	7.751	9.252	6.299	7.598	4.173	0.787	0.630	0.394	1.157	4-M20
25"	S4254A11R	A2-11	385	24.803	7.751	9.252	7.500	8.011	4.645	0.787	0.630	0.394	1.157	4-M20
25"	S4254A15R	A2-15	385	24.803	11.251	13.000	10.500	8.011	4.645	0.827	0.699	0.394	1.406	8-M24
25"	S4254A20R	A2-20	385	24.803	16.251	18.252	12.5/14.6	8.011	4.645	0.906	0.748	0.394	1.657	8-M24
32"	S4324A15R	A2-15	567	31.500	11.251	13.000	11.000	7.953	5.197	0.827	0.669	0.394	1.406	8-M24