

LARGE BORE CHUCKS THREE JAW

Oil Country Chucks
Extra Heavy Duty

Extra Large Thru Hole

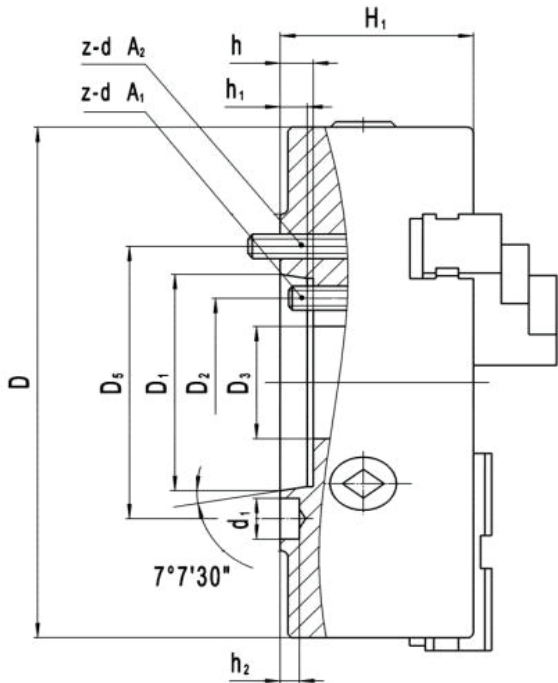
Scroll and Master Jaws Ground and Hardened
Extra Heavy Master Jaws and Top Jaws

Forged Steel Body

Two Piece Top Reversible Jaws

Mounting Bolts

Chuck Wrench



PRINCIPAL SPECIFICATIONS

Size	MODEL/MTG.	Weight	Hole Dia. D3	D	D1	D2/D5	H1	h	h1	h2	d1	z-d	Max RPM
20"	203A211REHD	475	7.500	19.685	7.751	9.252	6.340	0.787	0.630	0.394	1.158	M20	1100
25"	253A120REHD	680	12.500	24.803	16.251	14.500	6.690	0.906	0.748	0.472	1.657	M24	850
25"	253A211REHD	735	7.500	24.803	7.751	9.252	6.610	0.787	0.630	0.394	1.158	M20	850
25"	253A215REHD	705	11.000	24.803	11.251	13.000	6.610	0.827	0.669	0.472	1.406	M22/24	850
28"	283A211REHD	920	7.500	27.953	7.751	9.525	6.810	0.787	0.630	0.394	1.158	M20	750
28"	283A215REHD	890	11.000	27.953	11.251	13.000	6.810	0.827	0.669	0.472	1.406	M22/24	750
28"	283A220REHD	870	12.500	27.953	16.251	18.252	6.890	0.906	0.748	0.472	1.657	M24	750
32"	323A211REHD	1340	7.500	31.496	7.751	9.252	7.010	0.787	0.630	0.394	1.158	M20	600
32"	323A215REHD	1290	11.000	31.496	11.251	13.000	7.010	0.827	0.669	0.472	1.406	M22/24	600
32"	323A220REHD	1270	14.600	31.496	16.251	18.252	7.090	0.906	0.748	0.472	1.657	M24	600
36"	363A211REHD	1700	7.500	35.827	7.751	9.252	7.480	0.787	0.630	0.394	1.158	M20	550
36"	363A215REHD	1660	11.000	35.827	11.251	13.000	7.480	0.827	0.669	0.472	1.406	M22/24	550
36"	363A220REHD	1610	14.600	35.827	16.251	18.252	7.480	0.906	0.748	0.472	1.657	M24	550
40"	403A211REHD	1022	7.500	39.370	7.751	9.252	7.480	0.787	0.630	0.394	1.158	M20	500
40"	403A215REHD	1995	11.000	39.370	11.251	13.000	7.480	0.827	0.669	0.472	1.406	M22/24	500
40"	403A220REHD	1975	14.600	39.370	16.251	18.252	7.480	0.906	0.748	0.472	1.657	M24	500
40"	403A228REHD	1910	18.500	39.370	23.001	25.496	7.480	1.024	0.866	0.472	2.032	M30	500