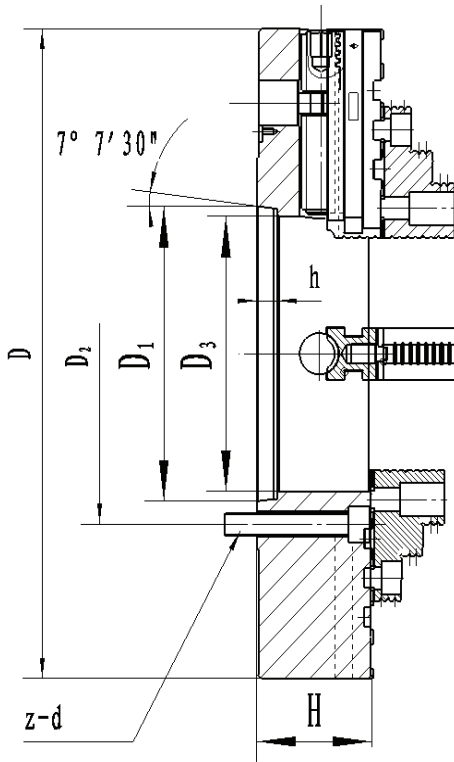


# LARGE BORE CHUCKS FOUR JAW

Oil Country Chucks  
 Extra Heavy Duty  
 Extra Large Thru Hole  
 Extra Heavy Master Jaws and Top Jaws  
**Forged Steel Body**  
 Two Piece Top Reversible Jaws  
 Mounting Bolts  
 Chuck Wrench



## PRINCIPAL SPECIFICATIONS

Size	MODEL/MTG.	Weight	Hole Dia. D3	D	D1	D2/D5	H	h	z-d	RPM
20"	204A211REHD	520	6.500	19.690	7.751	9.252	5.709	0.787	M20	1100
25"	254A211REHD	730	7.000	24.803	7.751	9.252	6.102	0.787	M20	850
25"	254A215REHD	710	11.000	24.803	11.251	13.000	6.102	0.827	M22/24	850
25"	254A220REHD	690	12.600	24.803	16.251	14.500	6.102	0.906	M24	850
28"	284A211REHD	940	7.500	27.950	7.751	9.525	6.102	0.787	M20	700
28"	284A215REHD	920	11.000	27.950	11.251	13.000	6.102	0.827	M22/24	700
28"	284A220REHD	905	12.600	27.950	16.251	18.252	6.102	0.906	M24	700
32"	324A211REHD	1280	7.500	31.500	7.751	9.252	6.496	0.787	M20	600
32"	324A215REHD	1265	11.000	31.500	11.251	13.000	6.496	0.827	M22/24	600
32"	324A220REHD	1255	12.600	31.500	16.251	18.252	6.496	0.906	M24	600
36"	364A211REHD	1985	7.500	36.020	7.751	9.252	6.496	0.787	M20	600
36"	364A215REHD	1960	11.000	36.020	11.251	13.000	6.496	0.827	M22/24	600
36"	364A220RHED	1930	12.600	36.020	16.251	18.252	6.496	0.906	M24	600
40"	404A211REHD	2460	7.500	39.370	7.751	9.252	6.496	0.787	M20	500
40"	404A215REHD	2400	10.511	39.370	11.251	13.000	6.496	0.827	M22/24	500
40"	404A220REHD	2350	12.600	39.370	16.251	18.252	6.496	0.906	M24	500
40"	404A228REHD	2275	18.5/22	39.370	23.001	25.496	6.496	1.024	M30	500