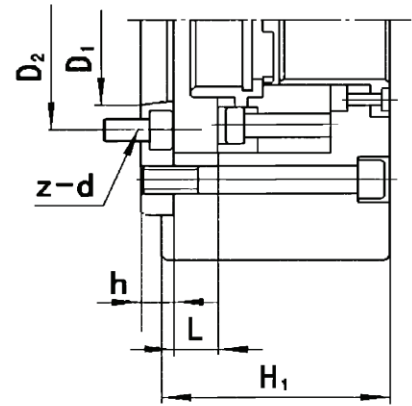
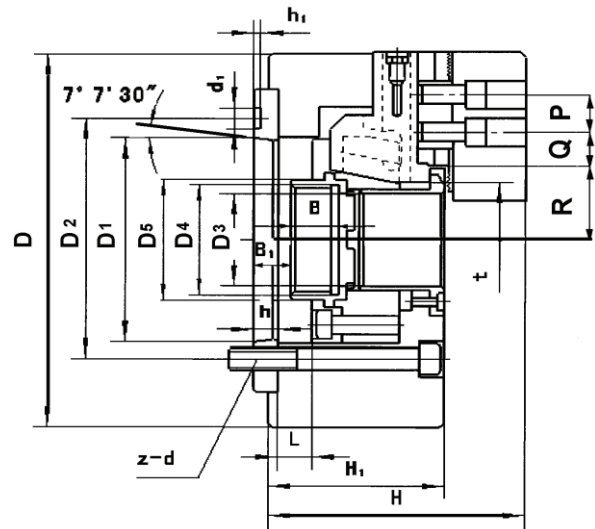
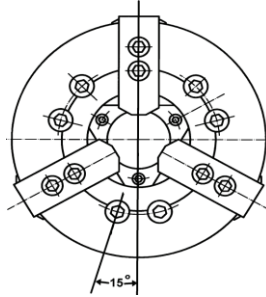


# Power Set Chucks

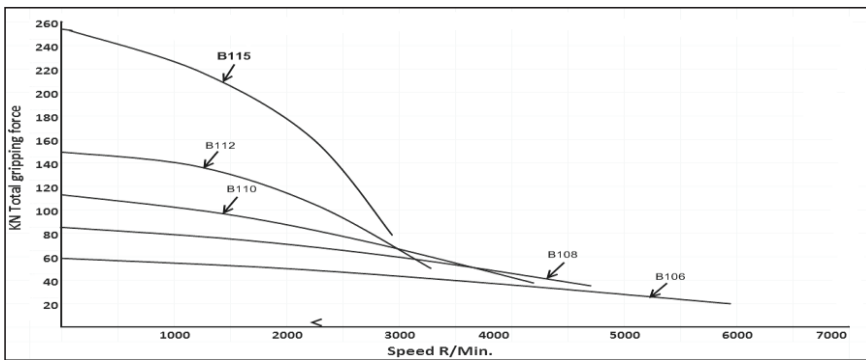
Hydraulic Power Chuck - Wedge Type - High Speed With Large Through Hole

Forged Steel



## SUPPLIED WITH:

- Solid steel body
- Direct mount
- Threaded draw nut
- Blank draw nut
- Chip cover
- Chuck wrench



## Principal Specifications (mm.)

Model	SIZE MM	MTG	D	D1	D2	D3	D4	D5	H1	H	h	P	Q		R		B		B1		
													Max	Min	Max	Min	Max	Min	Max	Min	d1
B106A5	169	A5	169	82.563	104.8	45	M55x2	60	91	120	15	20	22.75	9.25	32.00	29.25	19.00	26.00	14.0	16.3	6-M10
B108A5	210	A5	210	82.563	104.8	52	M60x2	66	109	148	23	25	29.75	14.75	38.70	35.00	20.50	37.50	21.5	16.3	6-M10
B108A6	210	A6	210	106.375	133.4	52	M60x2	66	103	142	17	25	29.75	14.75	38.70	35.00	20.50	31.50	15.5	19.5	6-M12
B110A6	254	A6	254	106.375	133.4	77	M85x2	94	120	163	25	30	33.75	14.25	51.00	46.60	25.00	33.50	14.5	19.5	6-M12
B110A8	254	A8	254	139.719	171.4	77	M85x2	94	113	156	18	30	33.75	14.25	51.00	46.60	25.00	26.50	7.5	24.2	6-M16
B112A6	304	A6	304	106.375	133.4	91	M90x2	108	129	180	25	30	45.75	15.75	61.30	56.00	28.00	33.00	10.0	19.5	6-M12
B112A8	304	A8	304	139.719	171.4	91	M100x2	108	122	173	18	30	45.75	15.75	61.30	56.00	28.00	26.00	3.0	24.2	6-M16
B115A8	381	A8	381	139.719	171.4	100	M110x2	120	174	235	33	43	54.75	20.25	70.00	64.70	35.00	56.00	33.0	24.2	6-M16

## Chuck Parameters (mm.)

Model	SIZE	Thru	Axial Wedge Stroke	Jaw Stroke t (dia.)	Max. Draw Pull KN	Grip Force KN	Max.	Clamp Range	Jamming Range	Op Cyl. #	Net Wt. Kg.
B106A5	169	45	12	5.5	22.00	57	6000	16-169	30-169	P25125	7
B108A5	210	52	16	7.4	34.80	86	5000	13-210	36-210	P25155	14
B108A6	210	52	16	7.4	34.80	86	5000	13-210	36-210	P25155	24
B110A6	254	75	19	8.8	43.00	111	4200	31-254	45-254	P25180	40
B110A8	254	75	19	8.8	43.00	114	4200	31-254	45-254	P25180	40
B112A6	304	91	23	10.6	55.00	144	3300	34-304	50-304	P25205	66
B112A8	304	91	23	10.6	55.00	144	3300	34-304	50-304	P25205	116
B115A8	381	100	23	10.6	98.00	249	2800	50-381	60-381	P25250	116